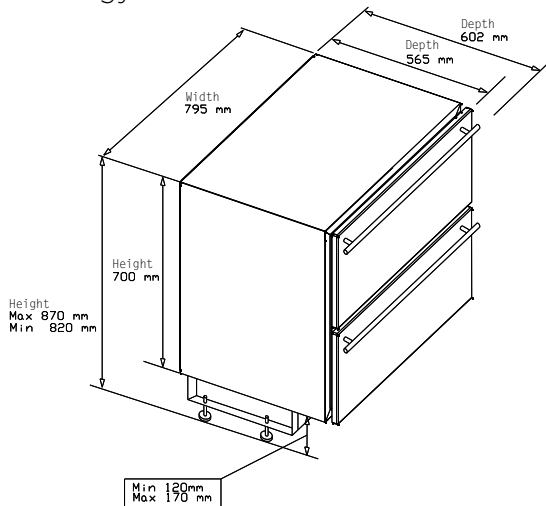


Product features and benefits

- A solution for modern kitchens – easily integrated
- Frees up workspace as it is built in under the worktop
- Modern design with flexible fittings
- Ideal solution for wheelchair users
- 2–8°C core temperature
- 2 large drawers + 1 smaller internal drawer
- Completely maintenance-free with automatic defrosting
- Niche dimensions (in mm): W 800 x H 820 (min) x D 565
- Energy class A+

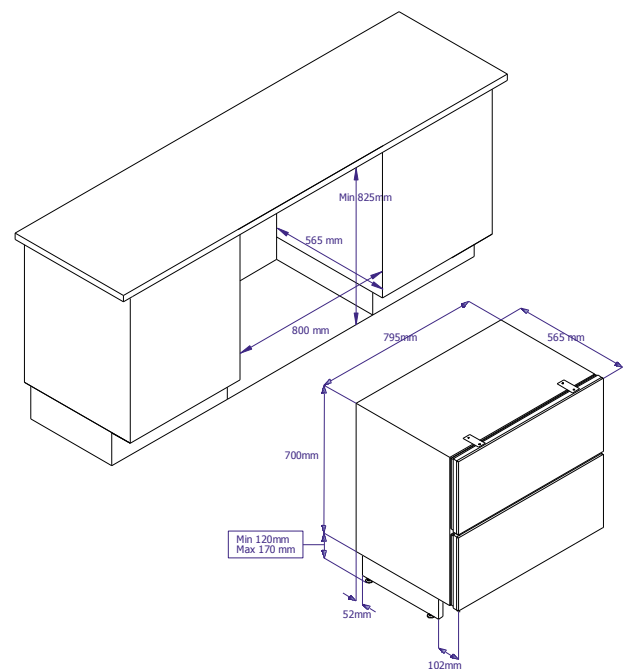


Integrated Drawer Fridge with stainless steel front

Models

1 Integrated Drawer Fridge
Product number: 6000009

2 Integrated Drawer Fridge with stainless steel front
Product number: 6000010



Integrated Drawer Fridge

Technical information

Dimensions		Temperature		Drawers	
Exterior dimensions (mm)	W 795 x H 820–870 x D 565	Thermostat setting	2–8 °C	Number of drawers	2+1
Niche dimensions (mm)	W 800 x D 565 x H 825 (min)	Ambient temperature	16–38 °C	2 large drawers + 1 smaller internal drawer	
Weight (kg)	71–73	Energy		Drawer front panels	
Net volume (litres)	104	Consumption (kWh/year)	103	Furniture or steel panels	
For integration	Yes	Energy class	A+	Ventilation	
		Lighting	No	Requires ventilation	Yes, see user manual