

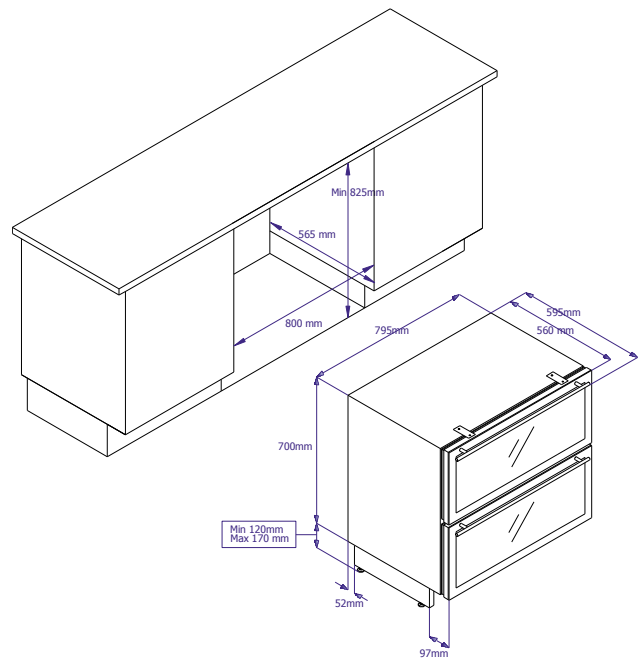
Product features and benefits

Norcool Cave 55 is a wine cooling system for serious wine lovers. Its built-under big-capacity design features a specially created soft-close drawer system for easy access. This makes wine selection an effortless and enjoyable process. Its large internal capacity allows the connoisseur to store up to approximately 55 standard 75 cl bottles of wine, using dual temperature zone technology to select your required temperature, creating the perfect drinking temperatures for red and white wine. The Cave 55 won the Award for Design Excellence from the Norwegian Design Council.

- Innovative and smart design
- The drawers fully open out enabling easy accessibility to each shelf
- Two temperature zones
- Lower zone between 8-12°C and upper zone between 15 and 18°C
- Capacity for approximately 55 standard 75 cl bottles of wine
- Shock absorption when closing the drawers
- Ultraviolet resistant door glass
- LED lighting
- Niche dimensions (in mm): W 800 x H 820 (min) x D 565

Models

- 1 Cave 55 Wine Drawer
Product number: 0512550018



Technical information

Dimensions		Temperature		Drawers	
Exterior dimensions (mm)	W 795 x H 820-870 x D 565	Cooling compartments	Two temperature zones	Number of drawers	2
Niche dimensions (mm)	W 800 x H 825 (min) x D 565	Thermostat setting	15-18°C upper zone, 8-12°C lower zone	Door glass	Tinted safety glass with UV protection
Weight (kg)	78	Ambient temperature	10-27 °C	Shelves	
Capacity	Approx. 55 standard 75 cl. wine bottles	Energy		Number of shelves	5
Maximum weight per drawer (kg)	20	Consumption (kWh/year)	154	Ventilation	
For integration	Yes	Lighting	Light emission diodes (LED)	Requires ventilation	Yes, see user manual