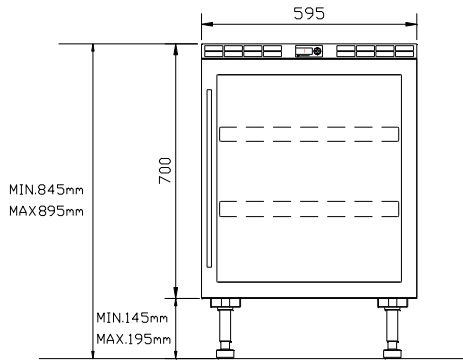


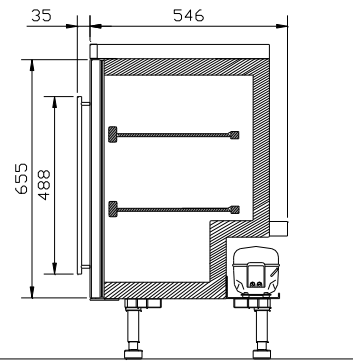
Product features and benefits

- Capacity for approximately 40 standard 75 cl bottles of wine
- High quality oak shelves
- Interior LED lighting with door sensor
- Ultraviolet resistant door glass
- Adjustable electronic thermostat
- Low noise level
- Must stand on its own feet between two cabinets
- Easily integrated into all types of kitchens
- Niche dimensions (in mm): W 600 x H 820 (min) x D 546



Models

- 1 Cave 40 right hinged
Product number: 0512400008
- 2 Cave 40 left hinged
Product number: 0512400118



Technical information

Dimensions		Temperature		Energy	
Exterior dimensions (mm)	W 595 x H 820-895 x D 546	Cooling compartments	1 temperature zone	Consumption (kWh/year)	128.8
Niche dimensions (mm)	W 600 x H 820 (min) x D 546	Thermostat setting	8-15°C	Lighting	Light emission diodes (LED)
Door frame (mm)	W 589 x H 455	Ambient temperature	10-27°C	Shelves	
Weight (kg)	32	Doors		Number of shelves	2
Capacity	Approx. 40 standard 75 cl wine bottles	Door hanging	Order left or right hinged	2 high quality wooden oak shelves	
For integration	Yes	Door glass	Tinted safety glass with UV protection	Ventilation	
				Requires ventilation	Yes, see user manual