

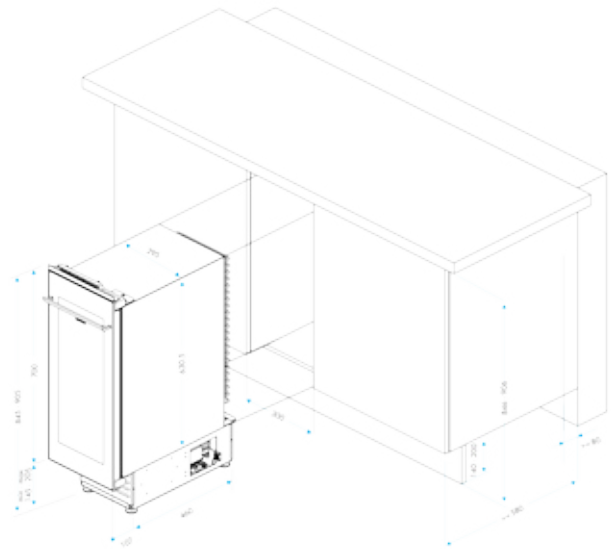
Product features and benefits

Cave 20 BU is a small and elegant wine cooler that can be integrated under your kitchen work-top. Thanks to its compact size it can fit into every kitchen. As with its built-in sister model, dual zone technology allows you to select your required temperature, covering the spectrum of perfect drinking temperatures for red and white wine. Cave 20 BU has been awarded the German Plus X Award for quality and design.

- Capacity for approximately 16 standard 75 cl bottles of wine
- High quality oak shelves trimmed with an aluminum profile
- Electronic display
- Ultraviolet resistant door glass
- LED lighting and automatic light dimming when the door is opened or closed
- Low energy consumption (energy class A+)
- Two independent storage zones
- Upper and lower zone can be regulated between 6-18°C
- Niche dimensions (in mm): W 300 x H 845 x D 580

Models

- 1 Cave 20 BU right hinged
Product number: 12670005
- 2 Cave 20 BU left hinged
Product number: 12670014



Technical information

Dimensions		Temperature		Shelves	
Exterior dimensions (mm)	W 295 x H 845-905 x D 567	Cooling compartments	Dual zone	Number of shelves	2
Niche dimensions (mm)	W 300 x H 845 (min) x D 580	Thermostat setting	6-18°C upper zone and 6-18°C lower zone	2 high quality wooden oak and aluminum shelves	
Door frame (mm)	W 589 x H 455	Ambient temperature	16-32 °C	Doors	
Weight (kg)	32	Energy		Door hanging	Order right or left hinged
Capacity	Approx. 16 standard 75 cl wine bottles	Consumption (kWh/year)	84.63	Door glass	Tinted safety glass with UV protection
For integration	Yes	Energy class	A+	Ventilation	
		Lighting	Light emission diodes (LED)	Requires ventilation	No